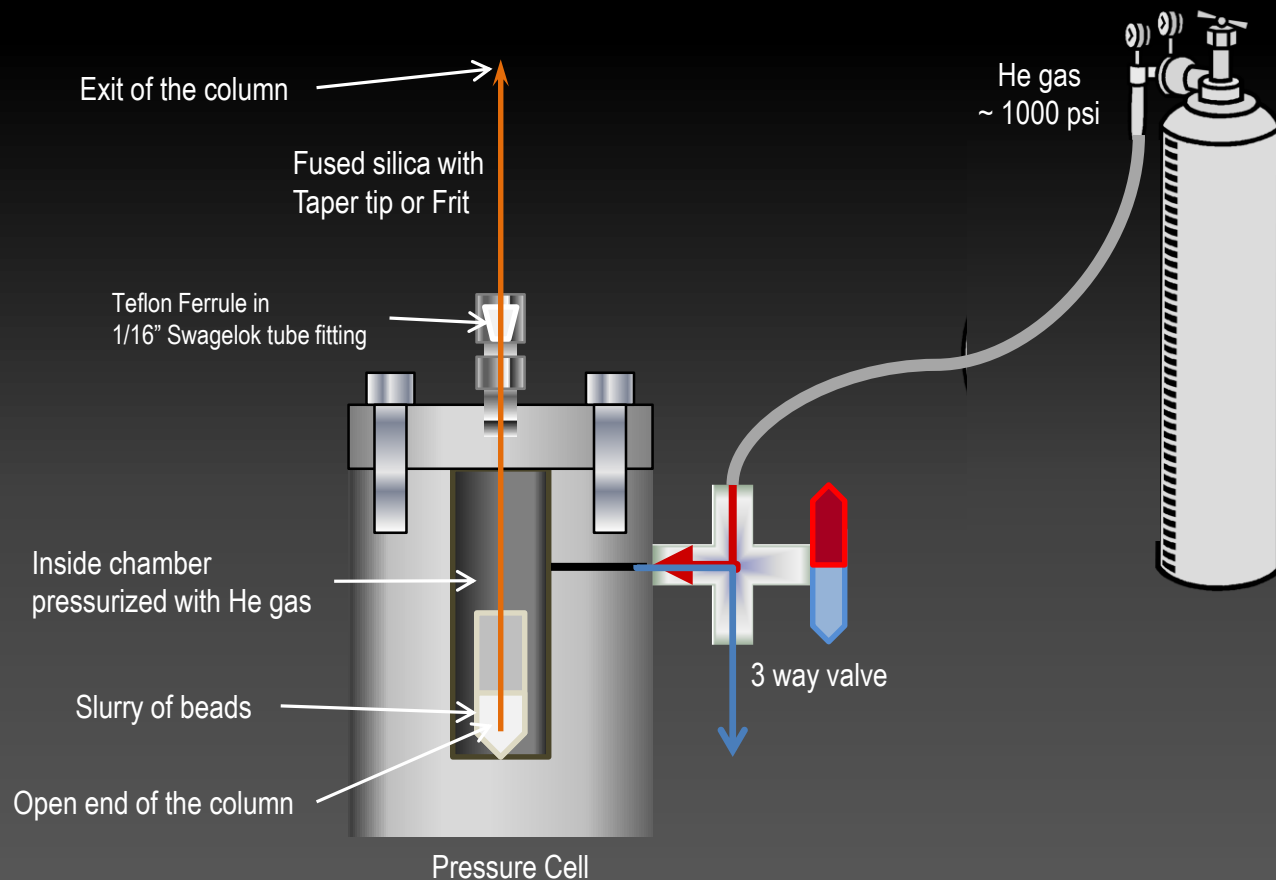


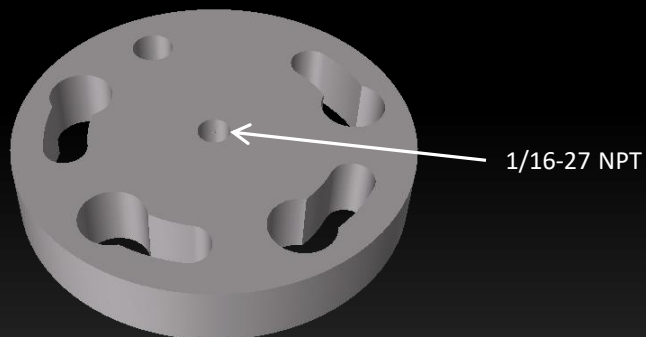
# Pressure cell



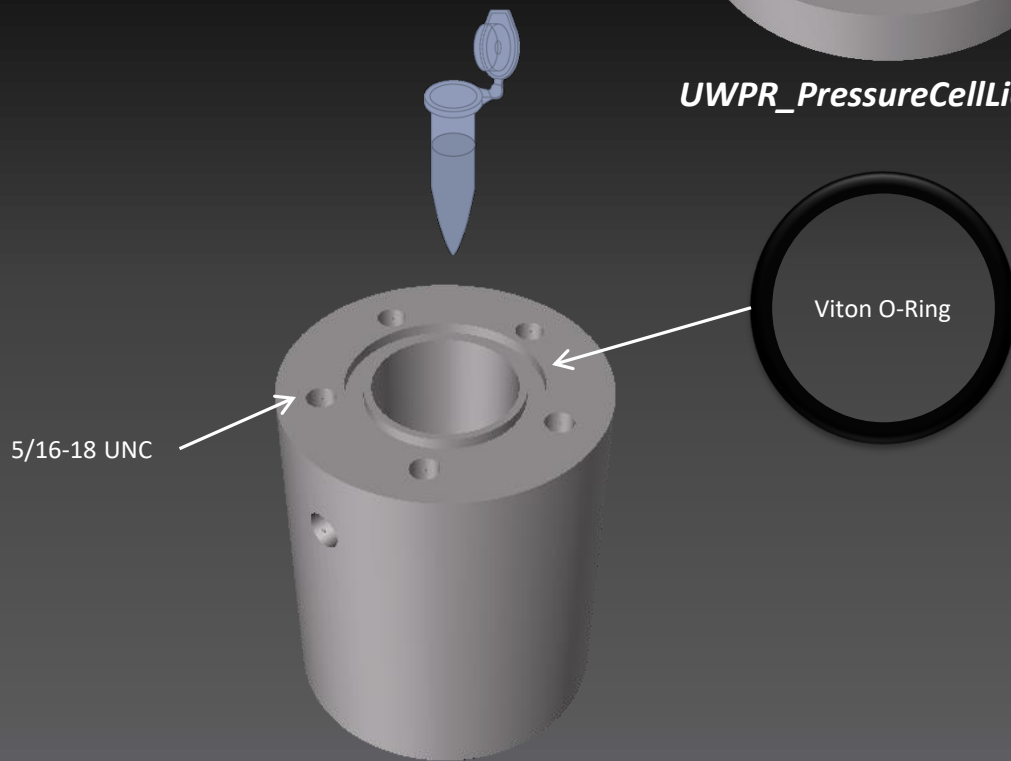
Note the designs described here are based on cell designs from Mike MacCoses lab, University of Washington and commercial cells (Brechtbuehler Inc.)

# Pressure cell machined parts

To view *ems* files go to:  
[www.emachineshop.com](http://www.emachineshop.com)  
and download free CAD software



*UWPR\_PressureCellLid.ems*

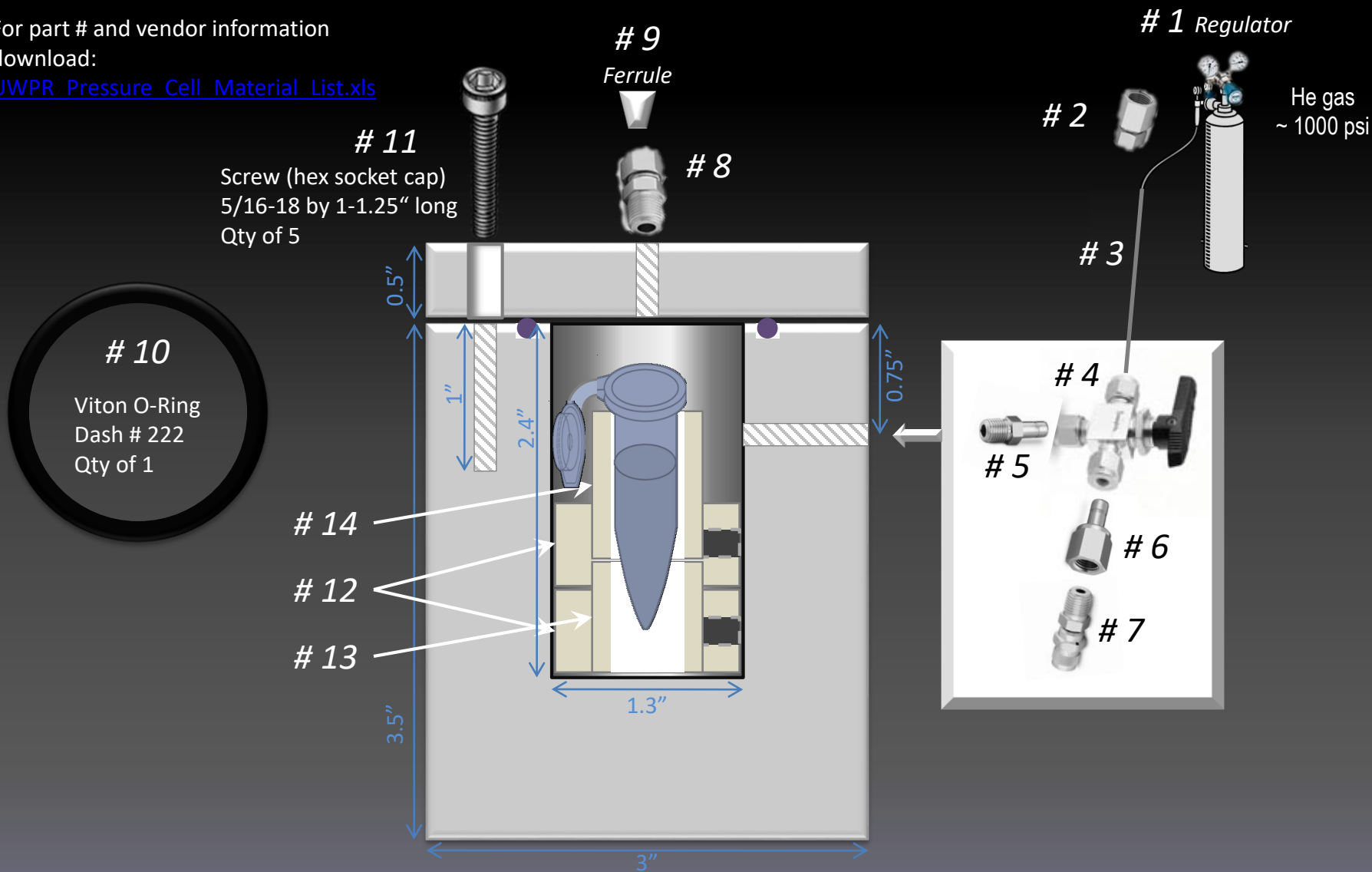


*UWPR\_PressureCellBody.ems*

# Pressure cell

For part # and vendor information  
download:

[UWPR Pressure Cell Material List.xls](#)





How to pack a capillary column

<http://www.benchfly.com/video.php?video=96>

How to Bomb-load Capillary Tips or Frits for LC/MS

<http://www.benchfly.com/video.php?video=104>

How to Pull a Capillary Tip for LC/MS

<http://www.benchfly.com/video/102/how-to-pull-a-capillary-tip-for-lc-ms/>



(discontinued)  
Brechtbuehler

<http://www.brechtbuehler.com/Pressure-cell.878.0.html>



(discontinued)  
Nanobaume

<http://www.westernfluids.net/Nanobaume.html>



Next Advance

<https://www.nextadvance.com/pressure-injection-cells/>